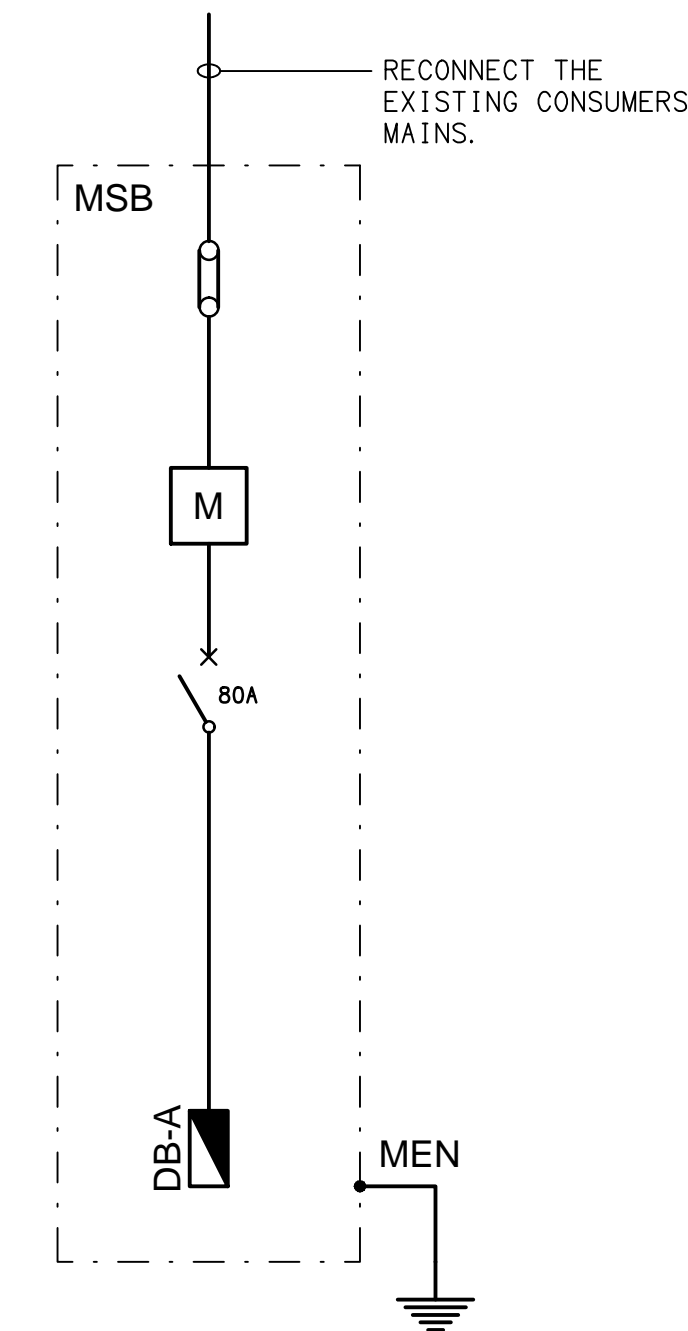


# DISTRIBUTION BOARD DB-A SCHEDULE

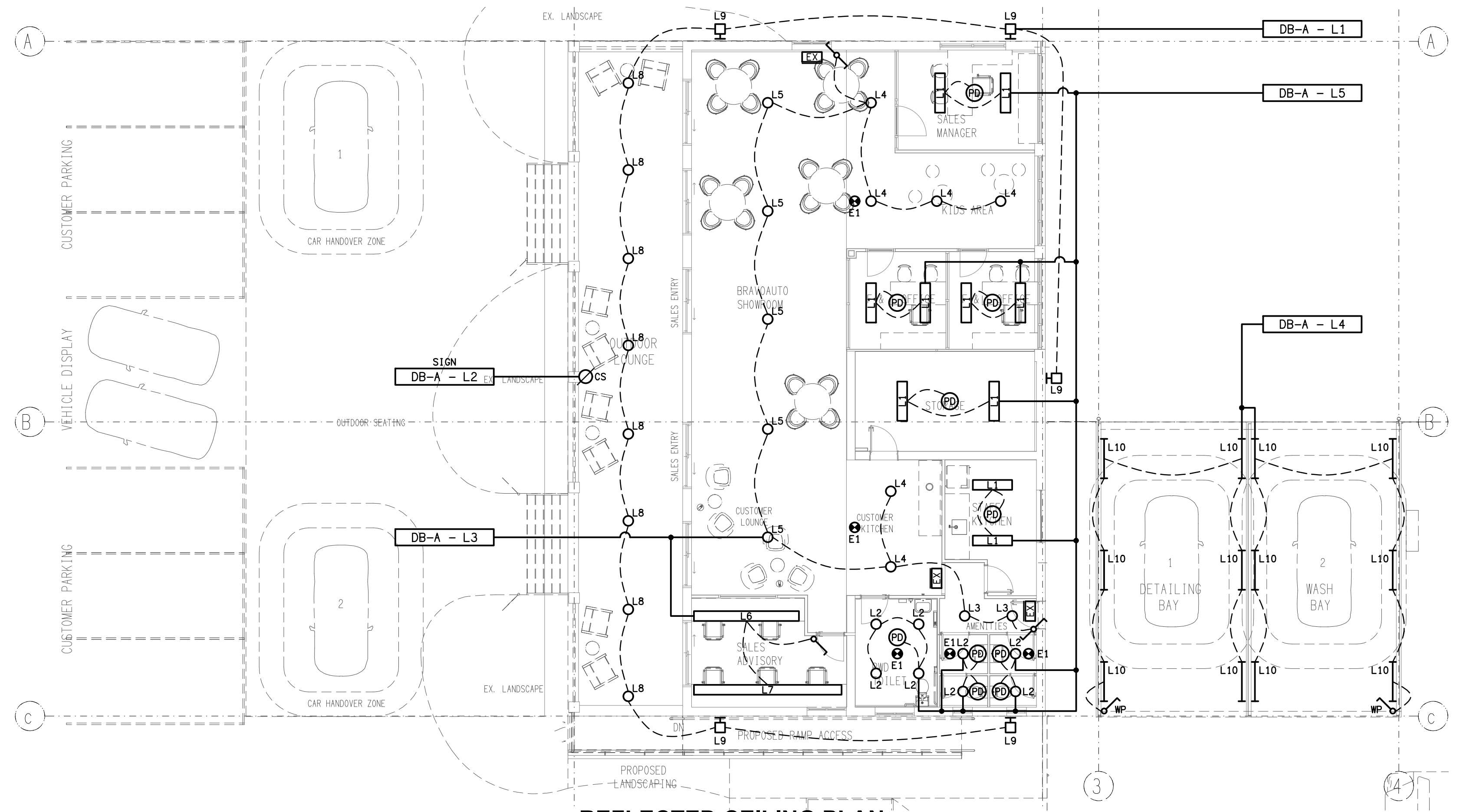
FAULT CURRENT:	6kA	MAIN SWITCH:	80 AMP CIRCUIT BREAKER
CHASSIS SIZE:	60 POLES		
CHASSIS RATING:	250A		
PHASES:	3.00		

PROVIDE THE DB INTEGRAL TO THE MSB WITH A FULL WIDTH EMPTY DIN RAIL TO ACCOMMODATE FUTURE CONTACTORS AND CONTROLS IN ADDITION TO THE INITIAL CONTROL EQUIPMENT. PROVIDE THE DB WITH SURGE PROTECTION. IN ADDITION TO THE FOLLOWING CIRCUITS ALLOW NEW SWITCHGEAR AND CONTROLS TO RECONNECT ALL OF THE SITES EXISTING CIRCUITS THAT REMAIN AS WELL AS ALL NECESSARY MECHANICAL AND HYDRAULIC SERVICES CIRCUITS.

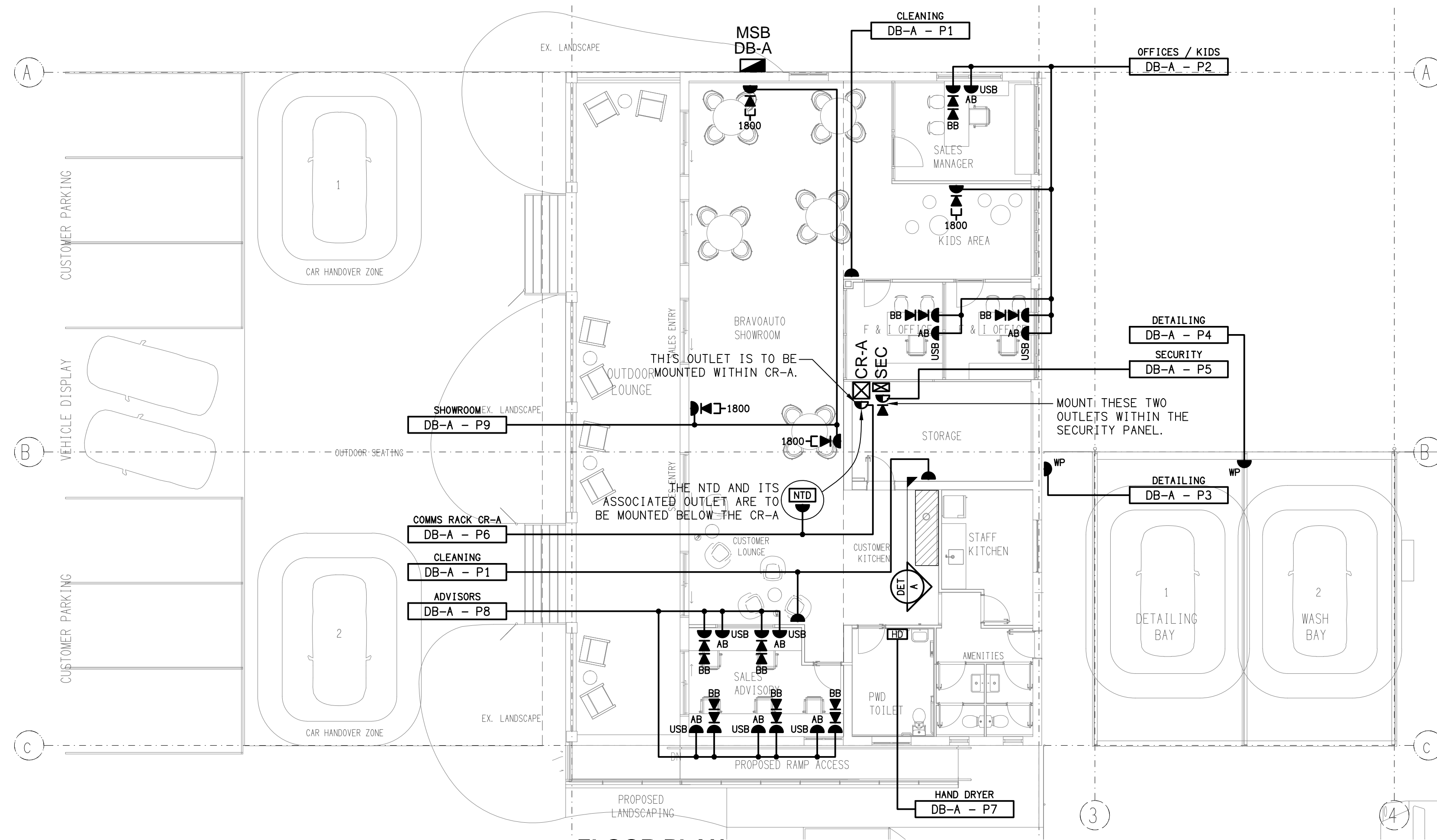
CIRC	PH	CIRCUIT BREAKER (amps)	CONTROL EQUIPMENT	CABLE SIZE (mm2)	LOCATION	CIRCUIT USE
P1	1	20	RCBO	2.5	SHOWROOM	CLEANING
P2	1	20	RCBO	2.5	OFFICES KIDS	GPO
P3	1	20	RCBO	2.5	DETAILING	GPO
P4	1	20	RCBO	2.5	DETAILING	GPO
P5	1	20	RCBO	2.5	STORE	CRA
P6	1	20	RCBO	2.5	STORE	SECURITY
P7	1	20	RCBO	2.5	PWD	HAND DRYER
P8	1	20	RCBO	2.5	ADVISORS	GPO
P9	1	20	RCBO	2.5	SHOWROOM	TV
P10	1	20	RCBO	2.5	CUSTOMER KITCHEN	GPO
P11	1	20	RCBO	2.5	CUSTOMER KITCHEN	REFRIGERATOR
L1	1	20	RCBO PE ON DUSK OFF DAWN	2.5	EXTERNAL	LIGHTS
L2	1	20	RCBO PE ON DUSK OFF DAWN	2.5	EXTERNAL	SIGN
L3	1	20	RCBO	2.5	SHOWROOM	LIGHTS
L4	1	20	RCBO	2.5	DETAILING	LIGHTS
L5	1	20	RCBO	2.5	OFFICES / BOH	LIGHTS



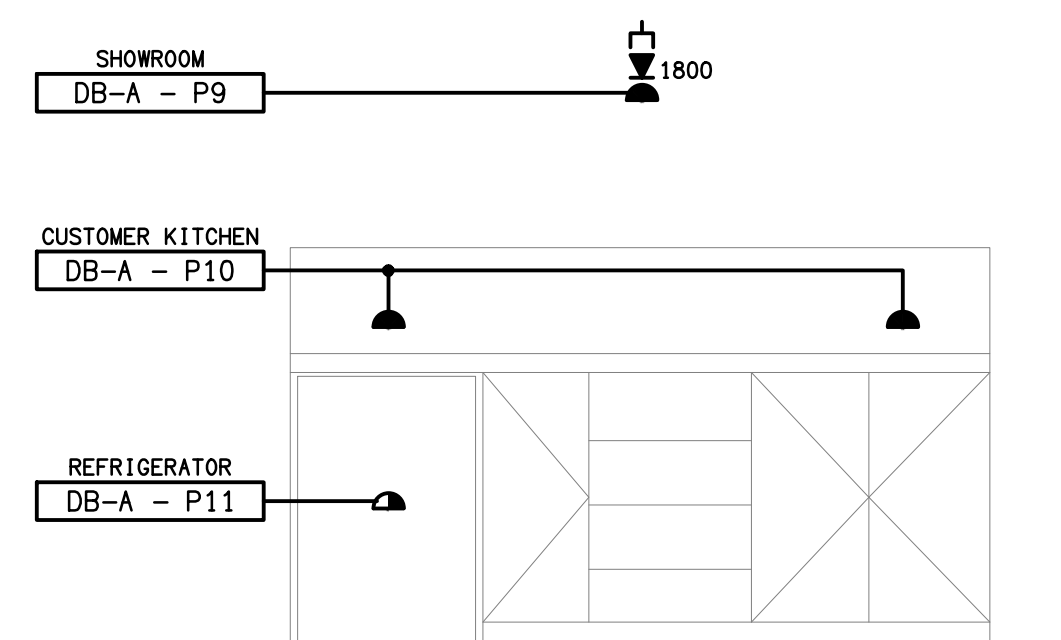
**SCHEMATIC**  
MSB POWER CONFIGURATION  
NOT TO SCALE



**REFLECTED CEILING PLAN**  
BRAVOAUTO TENANCY  
SCALE 1:100



**FLOOR PLAN**  
BRAVOAUTO TENANCY  
SCALE 1:100



**DETAIL A**  
CUSTOMER KITCHENETTE ELEVATION  
NOT TO SCALE

ELECTRICAL DESIGN GROUP BRISBANE  
PTY LTD  
ACN 092 710 793  
TRADING AS:  
ELECTRICAL DESIGN GROUP

THE COPYRIGHT OF THIS DRAWING  
REMAINS THE PROPERTY OF THE  
ELECTRICAL DESIGN GROUP.  
USE FIGURED DIMENSIONS  
IN PREFERENCE TO SCALE.  
ALL DIMENSIONS TO BE  
VERIFIED ONSITE.

**ELECTRICAL DESIGN GROUP**  
ELECTRICAL BUILDING SERVICES CONSULTANTS  
BRISBANE GOLD COAST

P.O. Box 15, Sherwood Q.4075  
Phone: (07) 3278 4375  
Email: brisbane@edg.net.au  
Web: www.edg.net.au

PROJECT:  
**BRAVOAUTO, SPRINGWOOD**  
3452-3456 PACIFIC HIGHWAY, SPRINGWOOD QUEENSLAND

A	TENDER	28/07/2023
REV.	DESCRIPTION:	DATE:

DRAWING:  
**ELECTRICAL SERVICES**  
FLOOR PLAN & REFLECTED CEILING PLAN

SCALE: 1:100	AT A1	PROJECT NO: <b>C3085a</b>	DRAWING NO: <b>E03</b>	REVISION: <b>A</b>
-----------------	-------	------------------------------	---------------------------	-----------------------